

EL[®]MARK

The Brand of Electricity

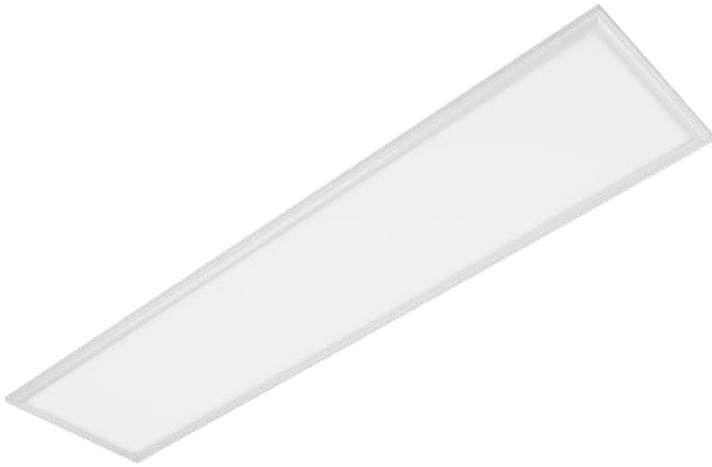
LED PANELS ELMARK UGR<19 IP44

GENERAL INFORMATION »

- ∴ Rated voltage: 230VAC
- ∴ Power: 48W
- ∴ Power supply: control gear, DC device - driver
- ∴ Light source: : SMD 2835
- ∴ Colour temperature: 4000K; 6400K
- ∴ Housing: White
- ∴ Diffuser: even distribution of lights, without formation of lighter or darker spots
- ∴ Colour rendering index: Ra≥80
- ∴ Unified Glare Rating UGR<19
- ∴ Beam angle: 120°
- ∴ Average life: 30 000 hours
- ∴ Switch on/off: >15 000
- ∴ Starting time: < 0.5s
- ∴ Power factor: 0.9
- ∴ Ambient temperature: -10°C +55°C
- ∴ Protection against dust and moisture: IP44
- ∴ Available in variant with an emergency kit
- ∴ LED panels can be dimmed using a suitable dimmable driver and remote control.

FEATURES »

- ∴ Completely replace traditional fluorescent lighting
- ∴ Safety, low voltage operation
- ∴ Suitable for mounting in suspended ceiling Armstrong type
- ∴ Emit a very pleasant and even light with very low glare factor due to the diffusion lens
- ∴ Low power consumption
- ∴ Instant light with maximum luminous flux
- ∴ Environmentally friendly - do not emit mercury and lead
- ∴ No ultraviolet and infrared rays
- ∴ Resistant to shock and vibration

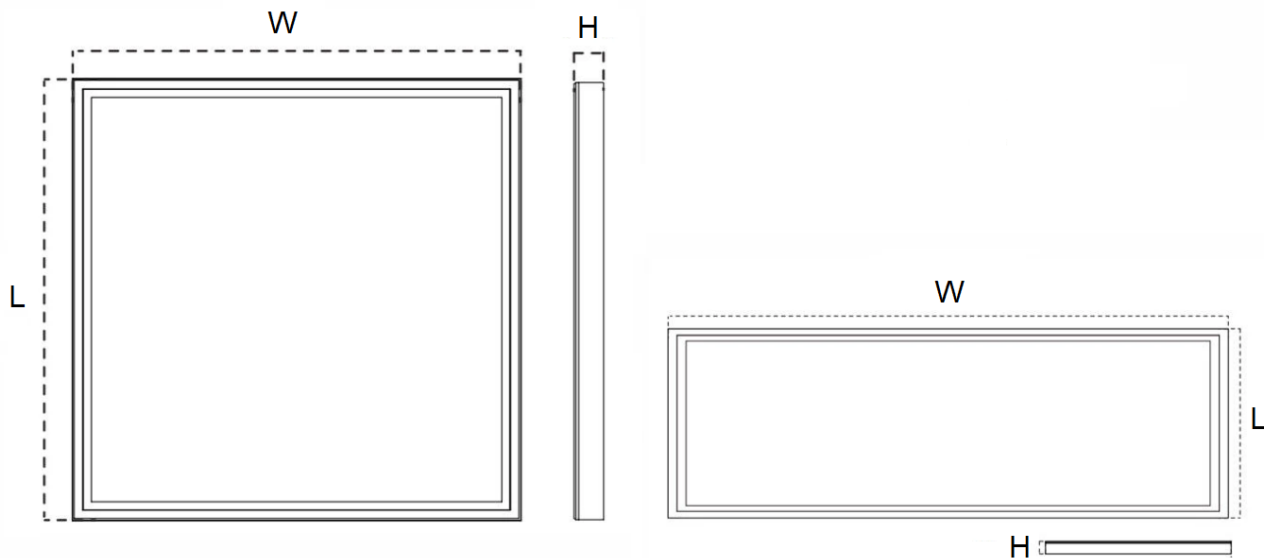


TECHNICAL SPECIFICATION SHEET

[PRODUCT DETAILS »](#)

Catalogue number	Catalogue number with Emergency kit	Dimmable	Watt (W)	Whole fixture lumens (lm)	Colour temp. (K)	Colour body
92PANEL028W44	92PANEL028W44E	-	48	5280	4000	white
92PANEL028CW44	92PANEL028CW44E	-	48	5280	6400	white
92PANEL029W44	92PANEL029W44E	-	48	5280	4000	white
92PANEL029CW44	92PANEL029CW44E	-	48	5280	6400	white

[DIMENSIONS »](#)



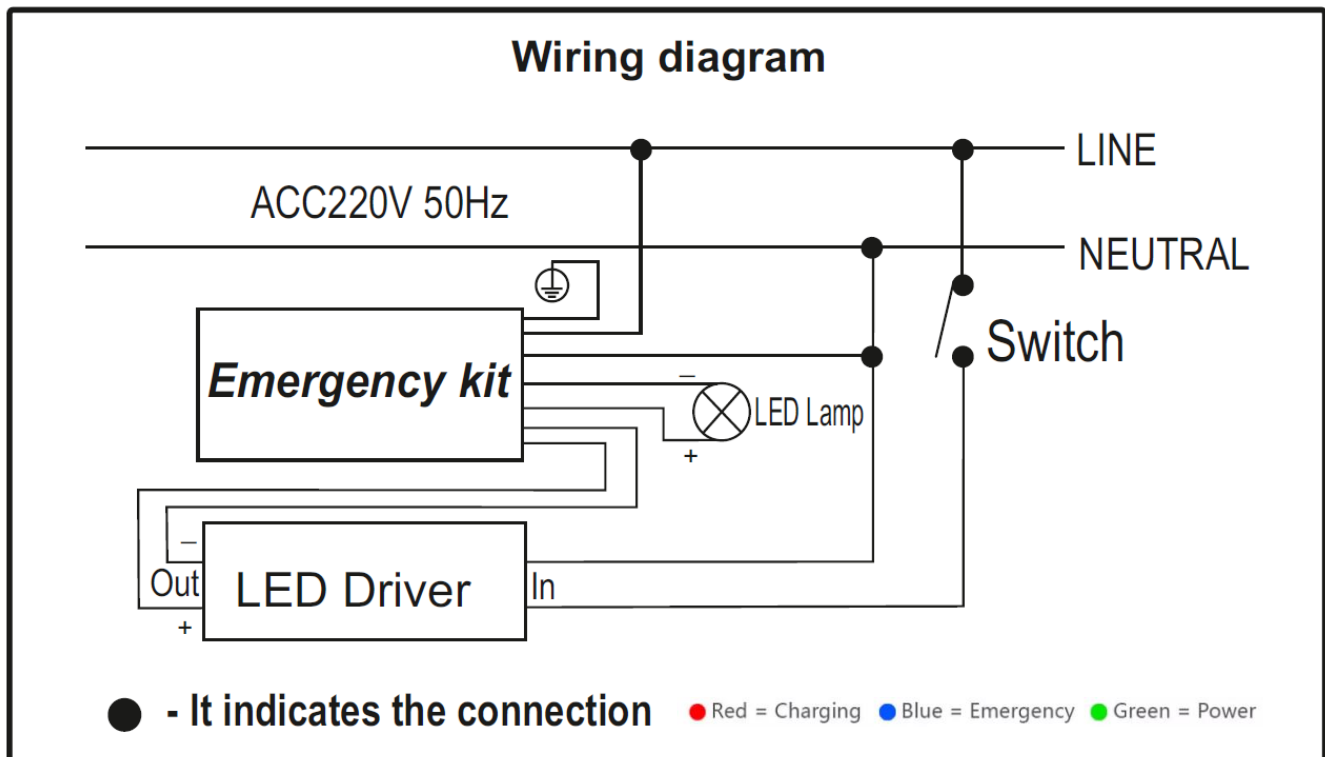
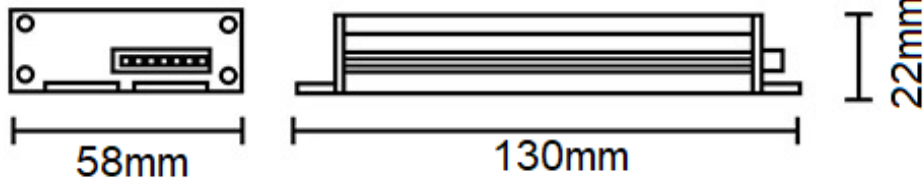
Catalogue number	Length (mm)	Width (mm)	Height (mm)
92PANEL028W44	595	595	30
92PANEL028CW44	595	595	30
92PANEL028W44E	595	595	30
92PANEL028CW44E	595	595	30
92PANEL029W44	295	1195	30
92PANEL029CW44	295	1195	30
92PANEL029W44E	295	1195	30
92PANEL029CW44E	295	1195	30

LED EMERGENCY KIT SPECIFICATIONS »



General information »

- ∴ Voltage: AC85-265V 50Hz
- ∴ Emergency Output: 3-40W
- ∴ Emergency Time: 2hrs (120mins)
- ∴ Battery: 3.7V 2400mAh
- ∴ Emergency Switching Time: <2s
- ∴ AC Fuse: 250V 1A
- ∴ DC Fuse: 250V 5A
- ∴ Luminous Flux: >100lm
- ∴ Light Source: LED
- ∴ Working temperature: -10°C +55°C
- ∴ IP Rate: IP30



[ACCESSORIES FOR LED PANELS »](#)

Suspension wire for suspended mounting Catalogue number: **99ACC18**

[ADDITIONAL INFORMATION »](#)

Catalogue number	Barcode	Packing/Box (pcs)
92PANEL028W44		1/5
92PANEL028CW44		1/5
92PANEL028W44E		1/5
92PANEL029W44		1/5
92PANEL029CW44		1/5
92PANEL029W44E		1/5
92PANEL029CW44E		1/5

